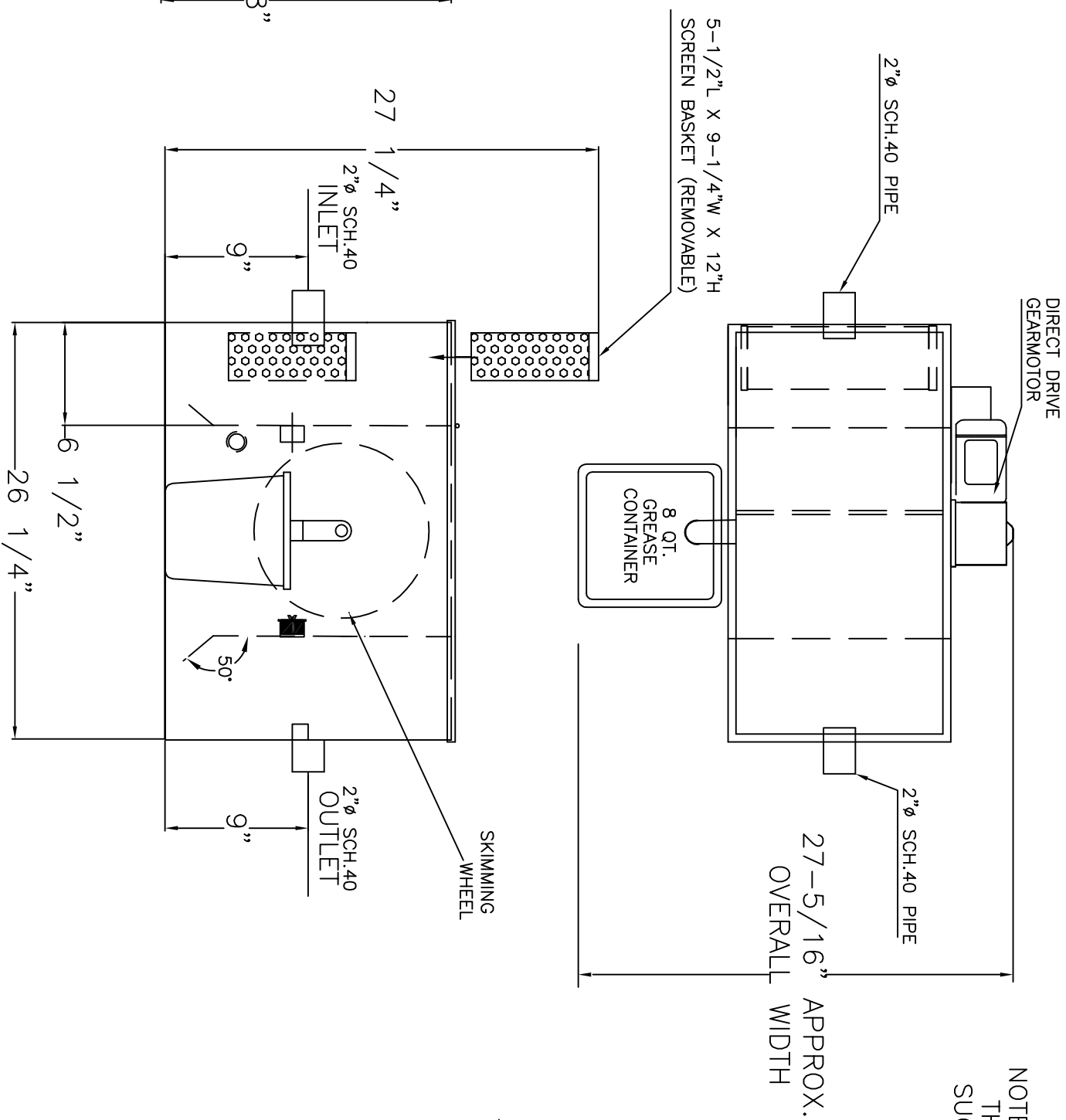
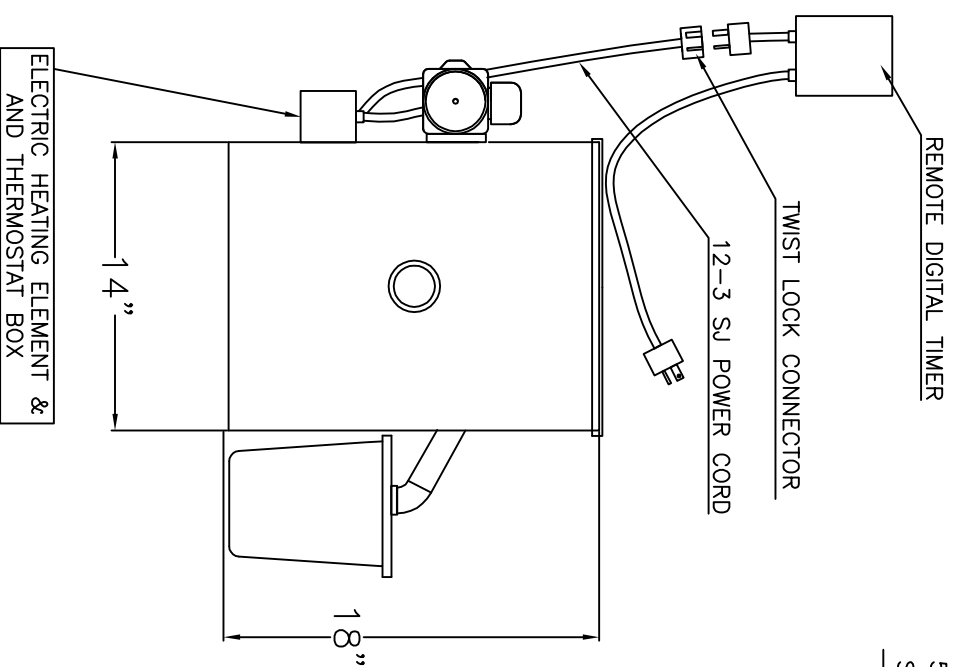


NOTE: ALL RIGHTS RESERVED. THIS DRAWING MUST NOT BE REPRODUCED IN ANY FORM WITHOUT THE WRITTEN PERMISSION OF AREO POWER. AREO POWER SHALL BE RESPONSIBLE ONLY FOR ITEMS INDICATED ON THIS FABRICATION DRAWING UNLESS OTHERWISE NOTED. CUSTOMER IS RESPONSIBLE FOR VERIFYING CORRECTNESS OF SIZE AND LOCATION OF FITTINGS, ACCESSORIES, AND COATINGS SHOWN ON THIS DRAWING.

## GENERAL SPECIFICATIONS

NO. REQ'D: 20 FIELD REVERSIBLE  
 MODEL: 304 STAINLESS STEEL 2-B FINISH  
 MATERIAL: 304 STAINLESS STEEL 2-B FINISH  
 GAUGE OR THICKNESS OF MATERIAL 14 ga. THROUGHOUT  
 APPROX. WEIGHT: 131 lbs.  
 STATIC WATER CAPACITY: 12.7 gal  
 GREASE HOLDING CAPACITY: 40.0 lbs.  
 RETENTION TIME: 37.3 SEC.



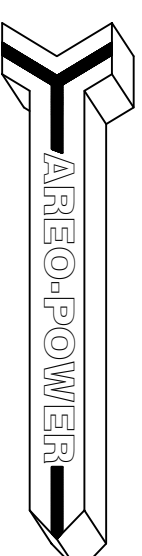
LEFT TO RIGHT OR  
 RIGHT TO LEFT AS  
 NEEDED

## ELECTRICAL INFORMATION

UNIT MUST BE PLUGGED INTO A GFI(GROUND FAULT INTERRUPT)RECEPTACLE.  
 GEARMOTOR— .933 FLA. 115V, 60hz  
 ELECTRIC HEATING ELEMENT— 115 V, 1500 W

NOTE:  
 THE A.G.I. IS NOT A TRAP FOR SEWER GAS WE SUGGEST A TRAP DOWN STREAM FROM THE A.G.I.

NO.	REVISIONS	DATE	BY



GREASE STOPPER MODEL20  
 FIELD REVERSIBLE

CUSTOMER:

PROJECT:

QUOTE NO:

SCALE: 1"=1' DATE: 12/17/09 DVG. BY: CLO DVG. NO: ARFO POWER20FR

CHK'D BY: